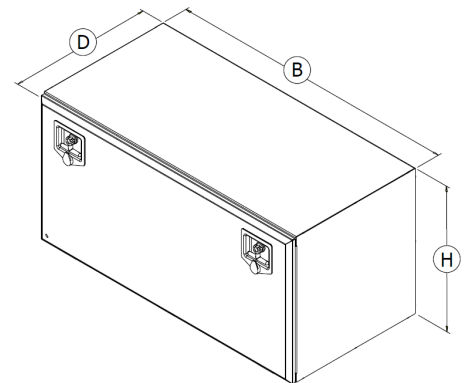


Stainless steel

# Toolbox 800x500x500 SS lift-door Tilbox, 2 locks

Product code: 103894 Old product code: 70124



## Description

Tilbox is a toolbox made entirely of stainless steel.

Durable all-welded construction. Plate thickness 1.5 mm.

The lock and hinges are also made of stainless steel.

Sealing around the door and a valve behind the box.

The door has a lock with two keys.

L: 800mm

H: 500mm

**Weight:** 30.1 kg**B:** 800 mm**H:** 500 mm**D:** 500 mm

---

D: 500mm

## Additional images

