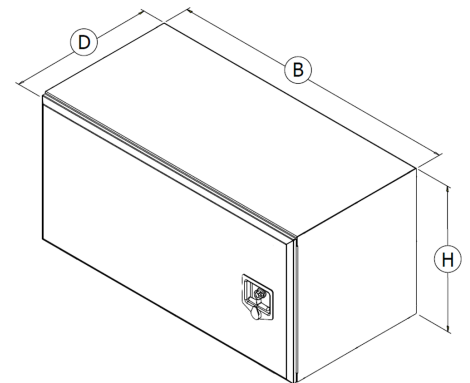


Stainless steel

# Toolbox 800x500x500 RST side opening

Product code: 150401



**B:** 800 mm  
**H:** 500 mm  
**D:** 500 mm

## Description

Truck's toolbox.

Material: stainless steel.

The ventilation plug on the back of the box improves the ventilation of the box.

The plate thickness of the box is 1.5 mm. Matte, polished cover. Rubber seal. Side-opening door with one T-lock.

**Additional images**

