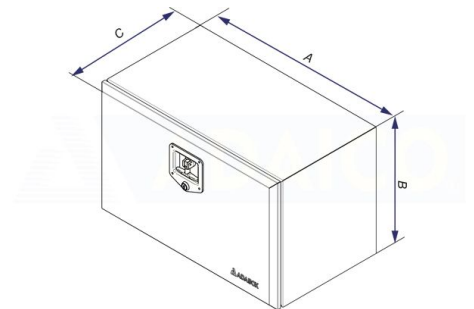


Stainless steel

# Toolbox 600x400x500 SS polished, gas spring Adabox, 1 lock

Product code: 160282348



## Description

Adabox stainless steel toolbox

Ergonomic & Double Security Lock (key & ring for padlock)

Metallic hinges and copper-plated steel screws

Sealing

Normative: ECE-R73.01 Lateral Protection Devices

L: 600mm

H: 400mm

**Weight:** 21 kg

**B:** 400 mm

**A:** 600 mm

**C:** 500 mm

---

D: 500mm

## Additional images

