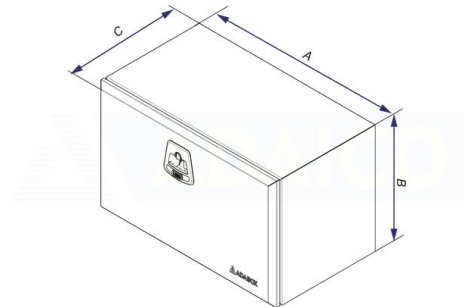


Galvanized

# Toolbox 600x400x500 galvanized, black Adabox, cable, 1 lock

Product code: 160282154



## Description

Adabox - black painted galvanized sheet metal box.

Ergonomic lock with a double locking options (key and padlock ring)

Metal hinges and copper plated steel screws, sealing

1.5mm material thickness

ECE-R73.01 Lateral Protection Devices

L: 600mm

H: 400mm

**Weight:** 19.9 kg

**B:** 500 mm

**A:** 600 mm

**C:** 400 mm

---

D: 500mm

## Additional images

