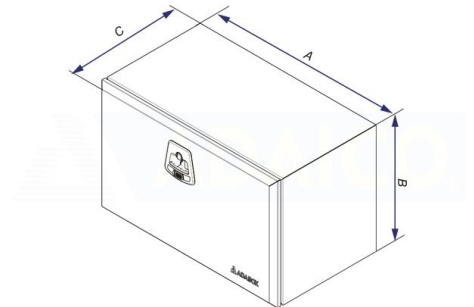


Stainless steel

Toolbox 600x400x470 SS matt, cable Adabox, 1 lock

Product code: 160282340



Description

Adabox stainless steel toolbox

Ergonomic & Double Security Lock (key & ring for padlock)

Metallic hinges and copper-plated steel screws

Sealing

Normative: ECE-R73.01 Lateral Protection Devices

L: 600mm

H: 400mm

Weight: 16.4 kg**B:** 400 mm**A:** 600 mm**C:** 470 mm

D: 470mm

Additional images

