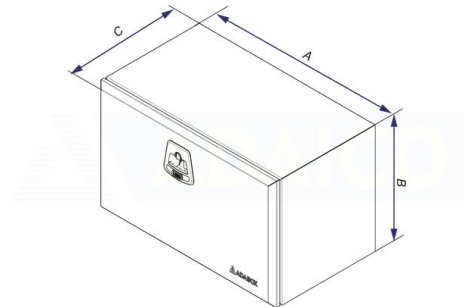


Galvanized

Toolbox 600x400x470 galvanized, black Adabox, cable, 1 lock

Product code: 160282105



Description

Adabox - black painted galvanized sheet metal box.

Ergonomic lock with a double locking options (key and padlock ring)

Metal hinges and copper plated steel screws, sealing

1.2mm material thickness

ECE-R73.01 Lateral Protection Devices

L: 600mm

H: 400mm

Weight: 15.7 kg

B: 470 mm

A: 600 mm

C: 400 mm

D: 470mm