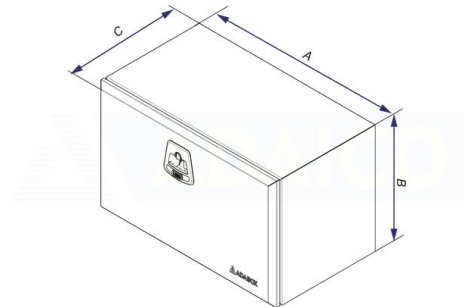


Galvanized

Toolbox 500x350x400 galvanized, black Adabox, cable, 1 lock

Product code: 160282150



Description

Adabox - black painted galvanized sheet metal box.

Ergonomic lock with a double locking options (key and padlock ring)

Metal hinges and copper plated steel screws, sealing

1.5mm material thickness

ECE-R73.01 Lateral Protection Devices

L: 500mm

H: 350mm

Weight: 14.4 kg

B: 400 mm

A: 500 mm

C: 350 mm

D: 400mm

Additional images

