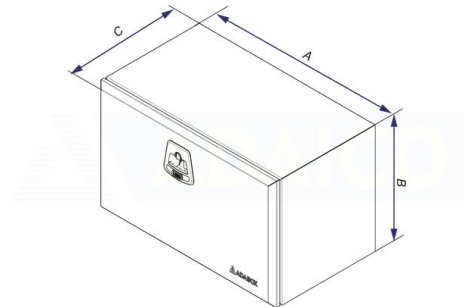


Galvanized

Toolbox 500x350x400 galvanized, black Adabox, cable, 1 lock

Product code: 160282103



Description

Adabox - black painted galvanized sheet metal box.

Ergonomic lock with a double locking options (key and padlock ring)

Metal hinges and copper plated steel screws, sealing

1.2mm material thickness

ECE-R73.01 Lateral Protection Devices

L: 500mm

H: 350mm

Weight: 12 kg**B:** 400 mm**A:** 500 mm**C:** 350 mm

D: 400mm