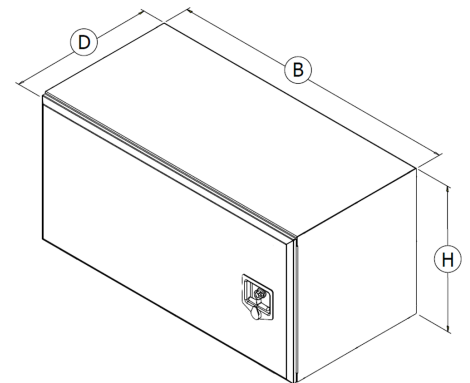


Stainless steel

Toolbox 1000x500x500 RST side opening

Product code: 150402



Description

Truck's toolbox.

Material: stainless steel.

The ventilation plug on the back of the box improves the ventilation of the box.

The plate thickness of the box is 1.5 mm. Matte, polished cover. Rubber seal. Side-opening door with one T-lock.

B: 1000 mm
H: 500 mm
D: 500 mm

Additional images

