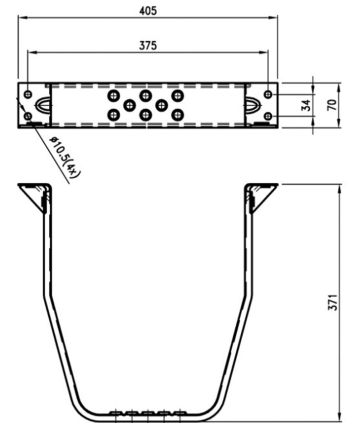


Ladders**Step 371x405x70 mm, ZN**

Product code: 17345007

**Description**

Step for machines and wagons.

Galvanized.

Dimensions: 371 x 405 x 70 mm.

Additional images

