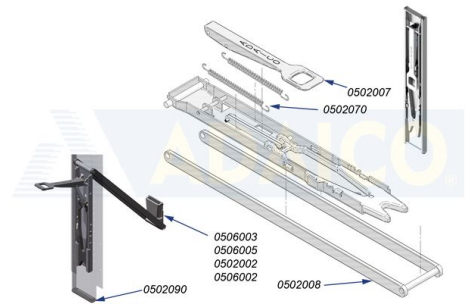


Adaico pillars accessories

# SPRING PILLAR P/MECANISMO

Product code: 160502070



## Additional images

