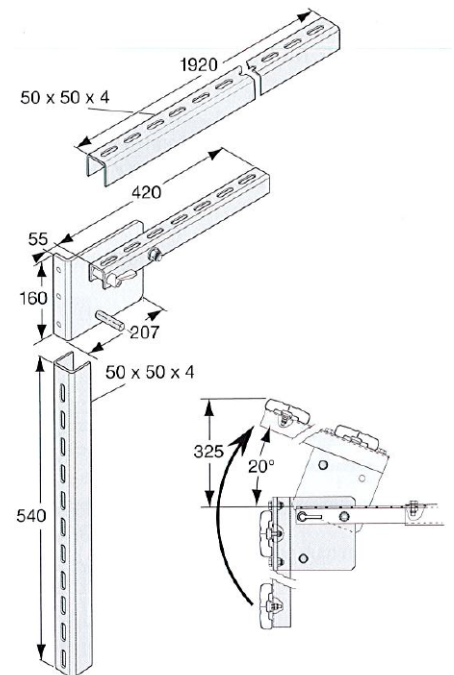


Other accessories

# Sideguard support kit

## The balance is net priced

Product code: 103839 Old product code: 70069

**Weight:** 20.2 kg

## Description

"Articulated support kit consists of multiple parts."

## Material

Steel

## Additional images

