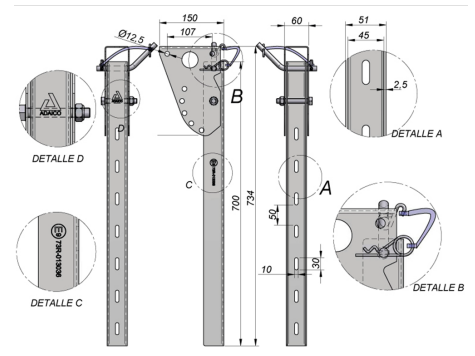


Other accessories

Sideguard leg bracket 700x158x60, w/ pin, ZN Thickness: 2,5 mm

Product code: 161702068 Old product code: 103634/18037



Description

Features:

Approval R73 marking (valid only for complete ADAICO Lateral Protection Device)

Normative:

89/297/EEC Directive | ECE Regulation R73

Weight: 3.7 kg

Additional images

