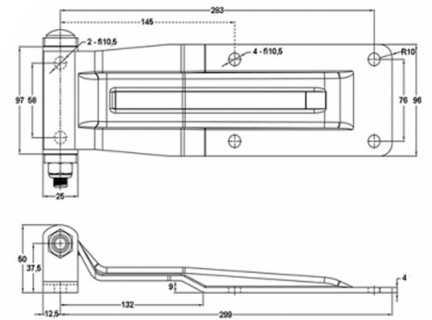


## Door hinges

**Rear door hinge set 310mm, SS  
Incl. Bracket, bolt & nut**

Product code: 150215 Old product code: EB 15-311

**Weight:** 1.42 kg