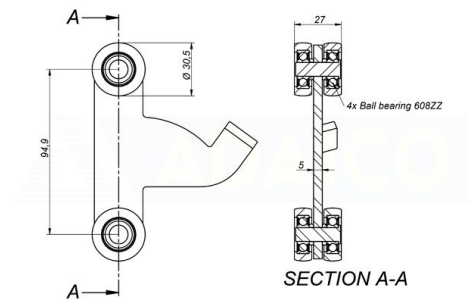


Bearings, Wheels and Carriage rollers

**PACK 2 UNITS. ROLLER Ø30,5X27H96  
ZINC PLATED STEEL DOUBLE**

Product code: 160801145



## Additional images

