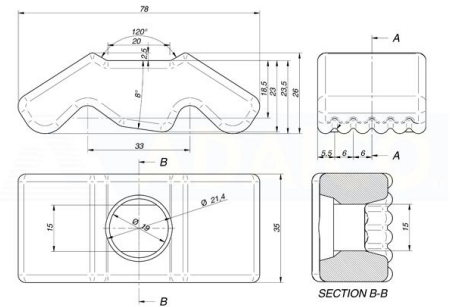


Frame brackets

PACK 2 UNITS CHASSIS BRACKET W/ZINC PLATED WASHER L79XØ15

Product code: 162001072



Additional images

2001072

