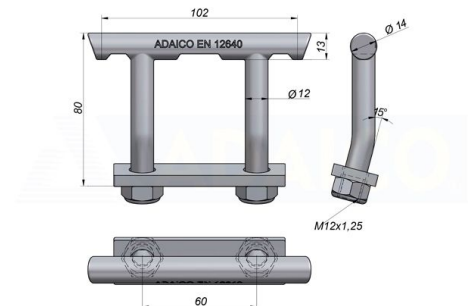


Lashing points

**Lashing point 2T, 102x80 mm, ZN
EN 12640 / VCA Certificate**

Product code: 161501046

**Description**

Features: LC = 2000 daN. | VCA Certificate - EN 12640.

Weight: 0,37 kg

This product meets the requirements of EN 12640:2019. You can get the document from our sales or extranet.

Additional images

