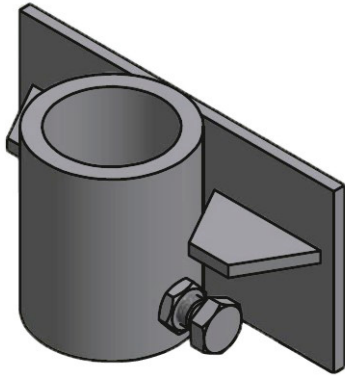


Container locks

# Holder

Product code: 17700174



**Weight:** 2 kg