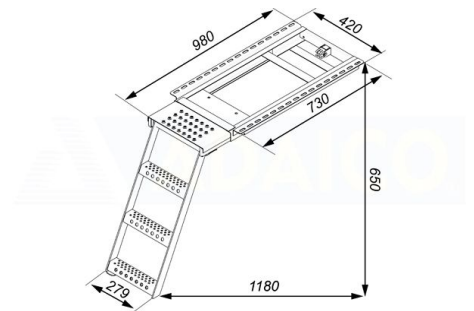


**Ladders****Folding ladder 650x420 mm, 3-steps + platform, ZN**

Product code: 161902051 Old product code: 103651/18054

**Weight:** 12 kg**Description**

Hinged folding ladder for machines and wagons. Three steps and a level.  
Perforated grippy stepping surface.

Material: steel.

Surface Treatment: zinc plated.

## Additional images

