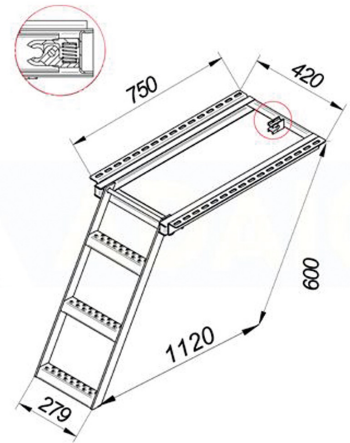


Ladders**Folding ladder 600x420 mm, 3-steps, ZN**

Product code: 161902050 Old product code: 103650/18053

**Weight:** 7.8 kg**Description**

Hinged folding ladder with two steps. The perforated stepping surface provides extra grip.

Material: steel.

Surface Treatment: zinc plated.

Additional images

