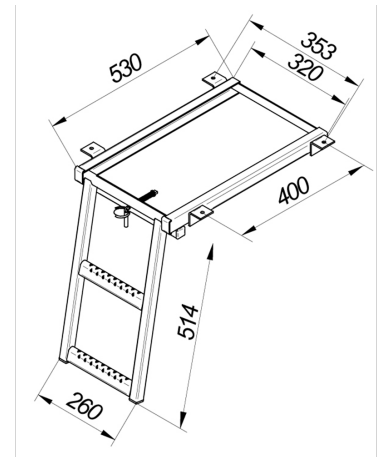


Ladders**Folding ladder 514x353 mm, 2-steps, ZN**

Product code: 161902058 Old product code: 103653/18056

**Weight:** 4.74 kg**Description**

Hinged stepladder with two steps. Perforated stepping surfaces for extra grip.

Material: steel.

Surface Treatment: zinc plated.

Additional images

