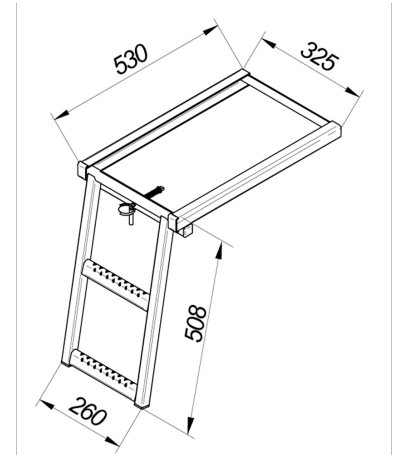


**Ladders****Folding ladder 508x325 mm, 2-steps, ZN**

Product code: 162519011 Old product code: 103663/18066

**Weight:** 4.74 kg**Description**

Hinged stepladders with two steps. Perforated stepping surfaces for extra grip.

Material: steel.

Surface Treatment: zinc plated.