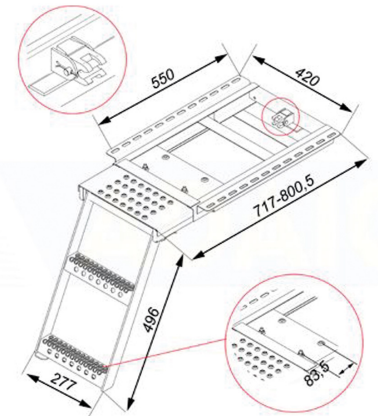


**Ladders****Folding ladder 496x420 mm, 2-steps + platform, ZN**

Product code: 161902042 Old product code: 103648/18051

**Weight:** 10.6 kg**Description**

Steppingladders with two steps and stepping level. Perforated stepping surface for extra grip.

Material: steel.

Surface Treatment: zinc plated.

## Additional images

