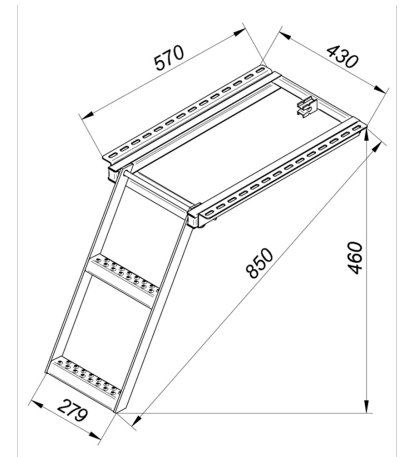


Ladders**Folding ladder 460x420 mm, 2-steps, ZN**

Product code: 161902045 Old product code: 103649/18052

**Weight:** 6.09 kg**Description**

Hinged stepladders with two steps. Perforated stepping surface for extra grip.

Material: steel.

Surface Treatment: zinc plated.

Additional images

