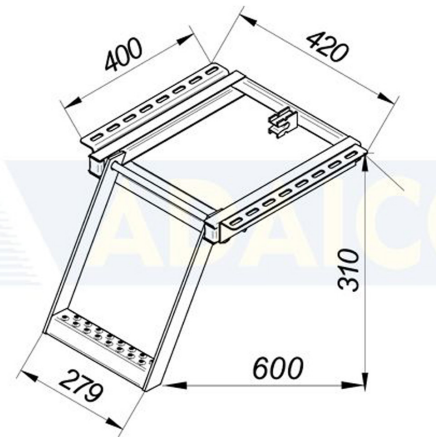


Ladders**Folding ladder 310x420 mm, 1-step, ZN**

Product code: 161902035 Old product code: 103646/18049

**Weight:** 4.43 kg**Description**

Hinged step for machines and wagons. Step surface perforated for extra grip.

Material: steel.

Surface Treatment: zinc plated.

Additional images

