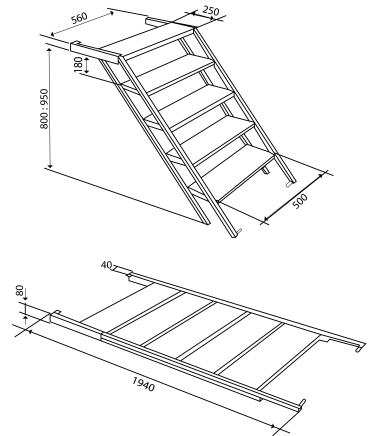


Ladders**Folding ladder 1940x560x80 mm, 5-steps, HDG**

Product code: 17345044

**Description**

Folding ladder for machines and wagons. Grippy textured step surface. 5 steps.

Made of durable hot-dip galvanized steel.

Dimensions: 1940 x 560 x 80 mm.

Additional images

