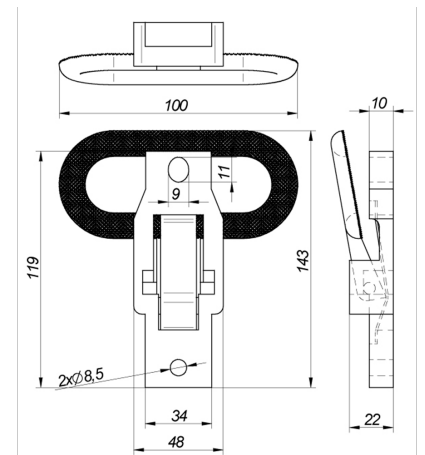
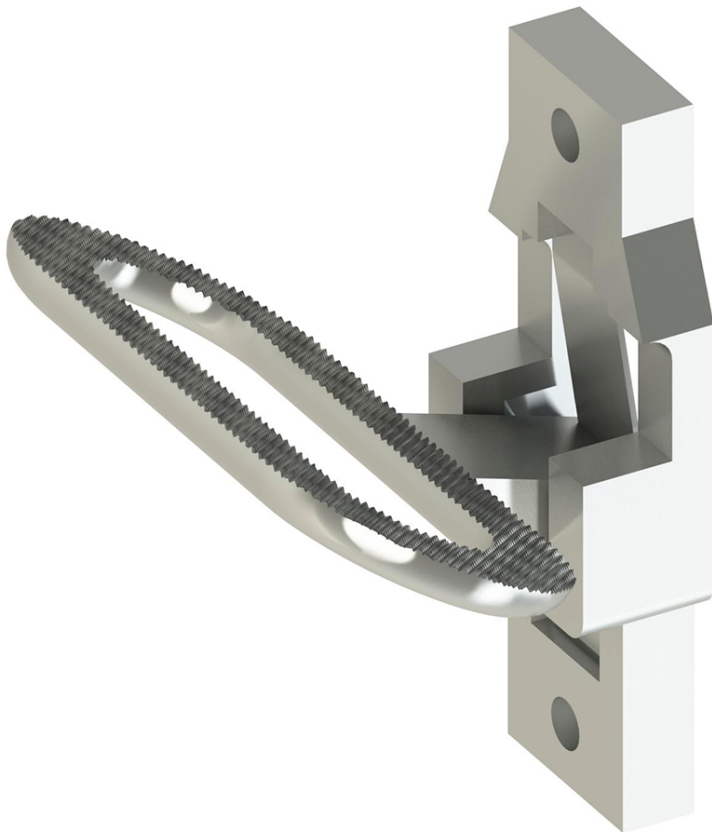


Ladders**Foldable step 143x100x22 mm, ZN
Antislip surface**

Product code: 161902304 Old product code: 103657/18060

**Weight:** 0.56 kg**Description**

Folding step for machines and wagons. Textured step for extra grip.

Material: steel.

Surface treatment: galvanized.

Additional images

