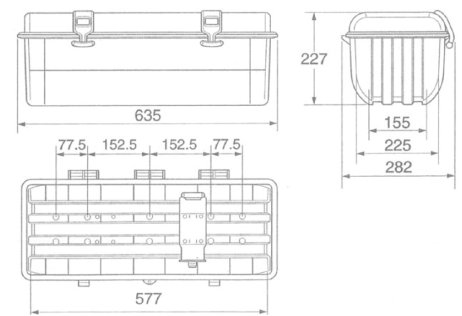


Fire extinguisher boxes

# Extinguisher Box TPE6

Product code: 100440 Old product code: 5042036



## Description

Includes one fastening strap

- Material: TPE
- Weather resistant -20 °C
- 3 Hinges, 2 Quick release fasteners
- Polycarbonate Window
- Water-proof sealing
- Right hand or left hand opening
- Weight: 2,10 kg
- Measurements: 282x635x233 (B x H x T)

**Weight: 2.1 kg**

## Additional images

