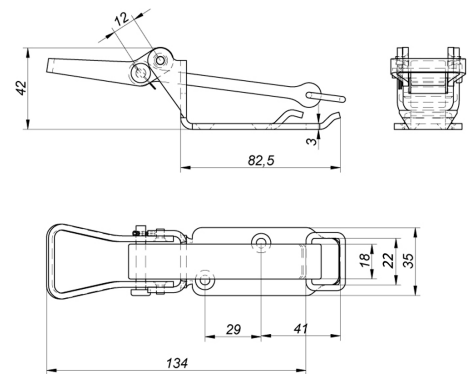
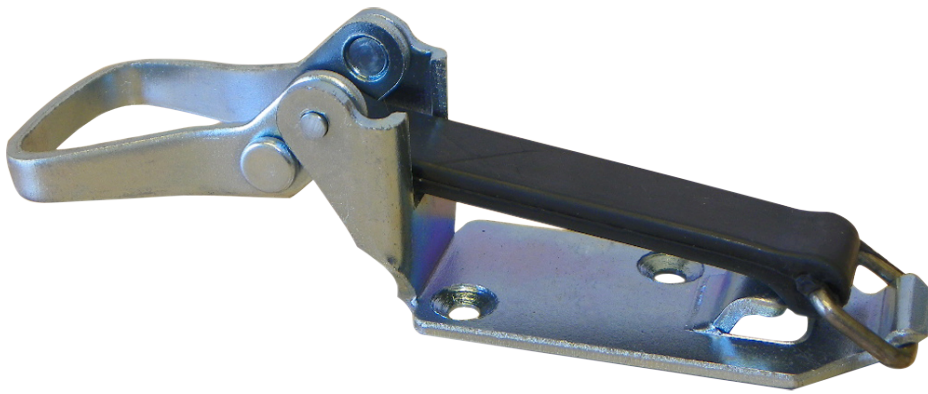


Scaffolding

EPDM Broom Lock 90 mm, zinc plated

Product code: 150510 Old product code: 161201320



Weight: 0.145 kg

Additional images

