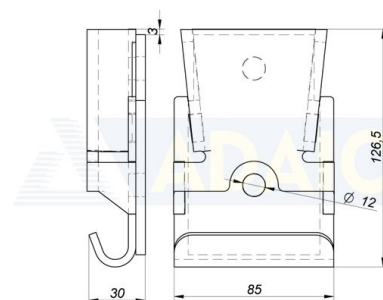


Adaico pillars accessories

CHASSISHOOK PILLAR 126X86 E=5KTF W/PLATE

Product code: 160506002



Additional images

