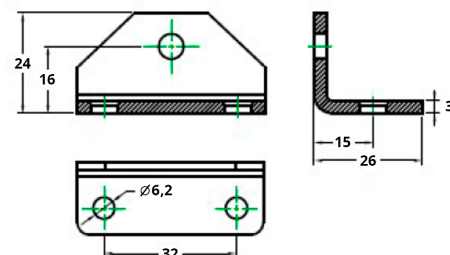
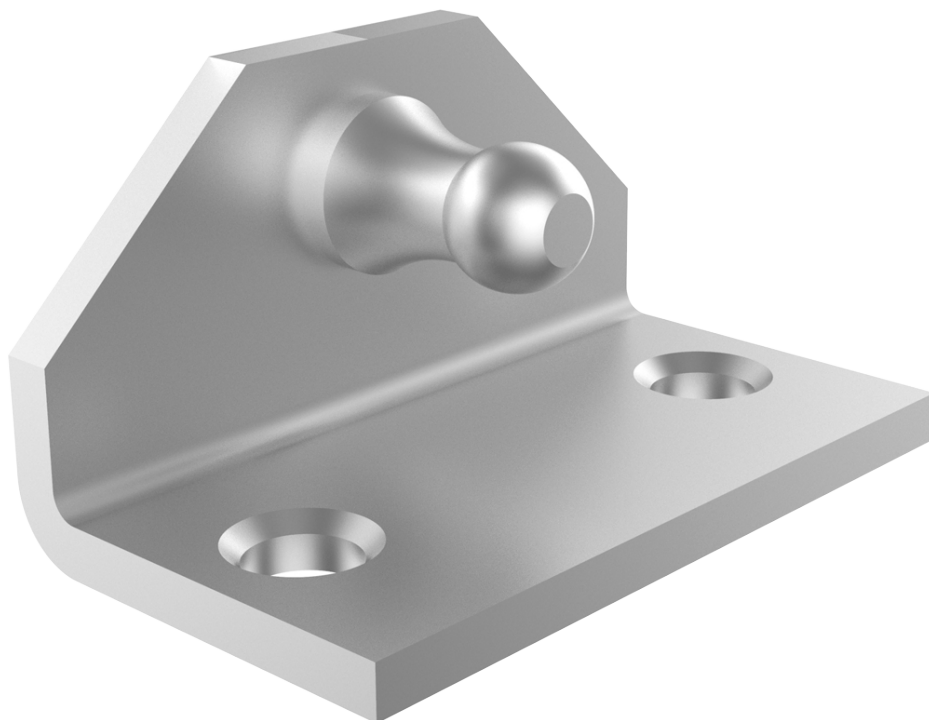


Gas springs

Bracket for gas spring 10mm ZN Right

Product code: 150060



Weight: 0.06 kg