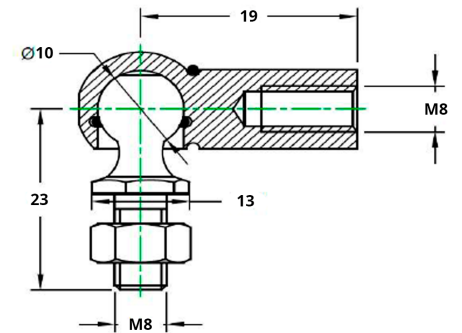


Gas springs

# Ball joint for gas spring M8/M8 ZN

Product code: 150055



**Weight:** 0.035 kg