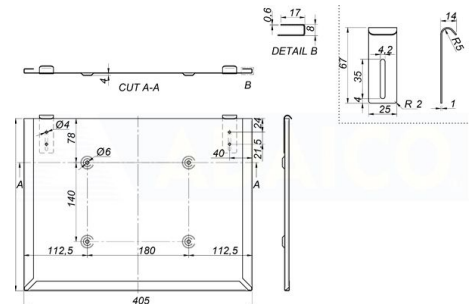


ADR-signs and stickers

ADR-sign holder 400x300 mm, SS With security catch

Product code: 167201059



Additional images

