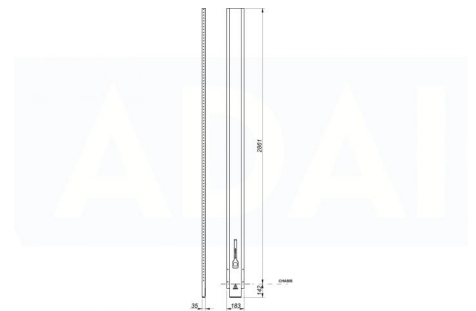


Adaico pillars

**ADAICO PILLAR 2995/85 NMCC 0 TIMBERHOLDER**

Product code: 160505010

**Description**

Features: CS trucks no roof elevation cut to desired height|Mechanism Standard|Pillar Body: Steel type S355MC 3mm|Treatment: KTL 10 µm (option stripped steel)

## Additional images

