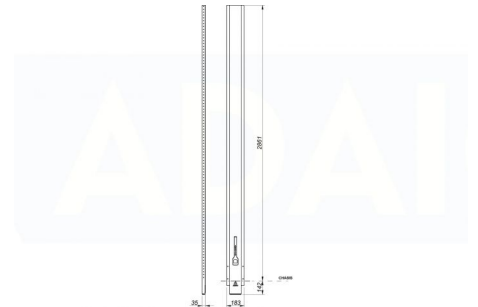


Adaico pillars

# ADAICO PILLAR 2995/85 CTF-10 NMCC 0 TIMBERHOLDER

Product code: 160505014



## Description

Features: CS trucks no roof elevation cut to desired height|Mechanism Standard|Pillar Body: Steel type S355MC 3mm|Treatment: KTL 10 µm (option stripped steel)

## Additional images

