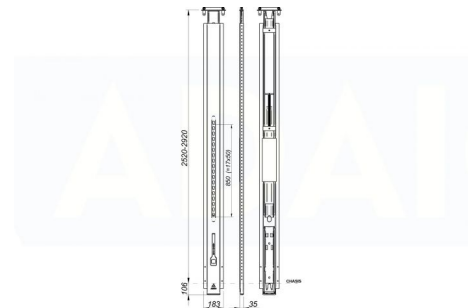
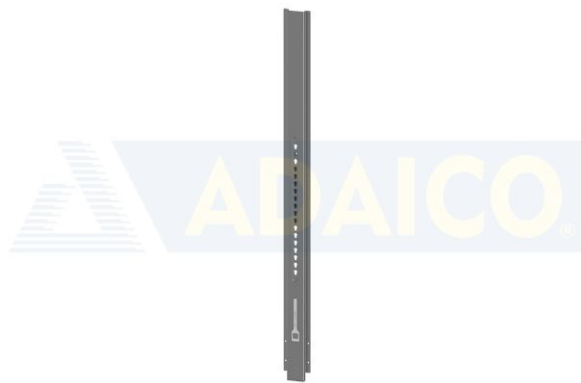


Adaico pillars

ADAICO PILLAR 2531/85 CTF-30 FIX-FRONT NMCCSRR 0 TIMBERHOLDER

Product code: 160505109



Description

Features: CS trucks with roof elevation $h > 2520 > 2920$ mm. top part 0502286 | Mechanism: Reduced | Pillar-Body: Steel type S355MC 3mm. | Treatment: KTL 30 μ m

Additional images

