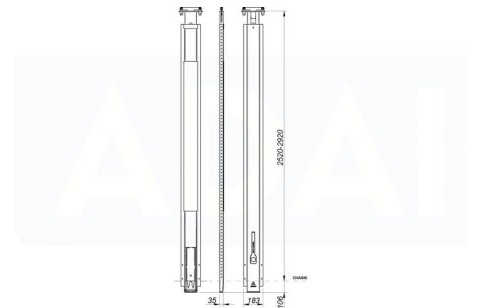


Adaico pillars

ADAICO PILLAR 2495/49 CTF-30 TELES NMCCSRR 0T XL W/SPRING

Product code: 160505518



Description

Features: CS trucks roof elev. $h > 2520 < 2920$ mm. top parts 0502261/2/3 (loading /unloading)|Mechanism Reduced|Pillar-Body: S/700MC 2,5 mm.|Treatment: KTL 30 μ m

Additional images

