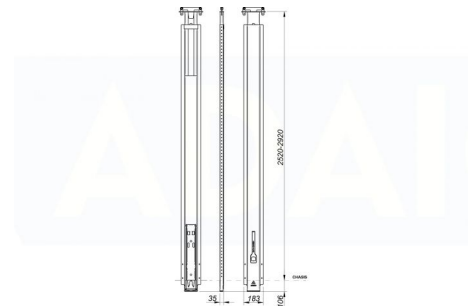


Adaico pillars accessories

ADAICO PILLAR 2495/49 CTF-30 NMCCSRR 0 TIMBERHOLDER XL

Product code: 160505130



Description

Features: CS without roof elevation. H>2520 <2920mm. top part 0502293/94/95|Mechanism Reduced|Pillar-Body: Steel type S700MC 2,5mm.|Treatment: KTL 30µm.

Additional images

